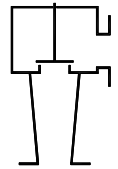


## Type sheet

In-line pressure relief valve

**KITO® DS/oG-PA-...**

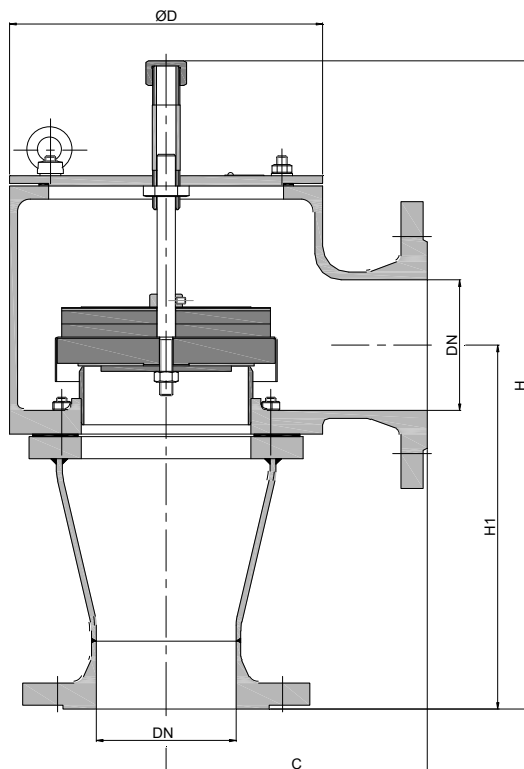
*-End of line device for use in pipeline-*



### Application

**As end-of-line armature, for venting apertures on tank installations.** As venting device for fixed roof tanks. Used to prevent inadmissible pressure and to minimize unwelcome gas losses or inadmissible emissions respectively. The housing is mounted perpendicularly on a tank roof. **The product vapours can be discharged through a collective line into the atmosphere connected to the line flange.**

### Dimensions (mm) and settings (mbar)



DN		C	D	H		H1		kg	setting
DIN	ASME			DIN	ASME	DIN	ASME		
50	PN 16	2"	150	165	341	360	192	211	2-60
80	PN 16	3"	180	192	413	435	225	247	
100	PN 16	4"	200	240	489	521	271	303	
150	PN 16	6"	250	350	590	624	324	358	
200	PN 10	8"	300	390	683	723	387	427	
250	PN 10	10"	305	460	764	798	443	477	
300	PN 10	12"	305	460	764	811	470	517	

*Indicated weights are understood without weight load and refer to the standard design*

### Example for order

**KITO® DS/oG-PA-50**

*(design with flange connection DN 50 PN 16)*

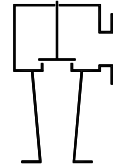
**Without EC certificate and € -marking**

## Type sheet

In-line pressure relief valve

**KITO® DS/oG-PA-...**

*-End of line device for use in pipeline-*



### Design

	standard	optionally
housing upper part (PN 1)	cast steel mat. no. 1.0619	stainless cast steel mat. no. 1.4408
housing lower part	cast steel mat. no. 1.0619	stainless cast steel mat. no. 1.4408
cover	steel	stainless steel mat. no. 1.4301
gasket	PTFE	
valve seat	stainless steel mat. no. 1.4571	
flange connection	EN 1092-1 type B1	ASME B16.5 Class 150 RF

### Design valve pallet

design	pressure range I 2 - < 3.5 mbar	pressure range II ≥ 3.5 - 14 mbar	pressure range III > 14 - 35 mbar	pressure range IV > 35 - 60 mbar
pallet	aluminum	stainless steel mat. no. 1.4571	stainless steel mat. no. 1.4571	stainless steel mat. no. 1.4571
valve spindle	aluminum / stainless steel mat. no. 1.4571	stainless steel mat. no. 1.4571	stainless steel mat. no. 1.4571	stainless steel mat. no. 1.4571
valve sealing	FEP & HD3822	FEP & HD3822	PTFE	PTFE

### Performance curves

Flow capacity  $V$  based on air of a density  $\rho = 1.29 \text{ kg/m}^3$  at  $T = 273 \text{ K}$  and atmospheric pressure  $p = 1.013 \text{ mbar}$ . For other gases the flow can be approximately calculated by

$$\dot{V}_{20\%} = \dot{V}_b \cdot \sqrt{\frac{\rho_b}{1.29}} \quad \text{or} \quad \dot{V}_b = \dot{V}_{20\%} \cdot \sqrt{\frac{1.29}{\rho_b}}$$

The indicated flow rates will be reached by an accumulation of 20 % above valve's setting. If the allowable overpressure is less 40%, please consult der factory for the corrected volume flow.

