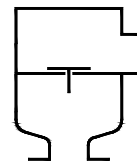


## Type sheet

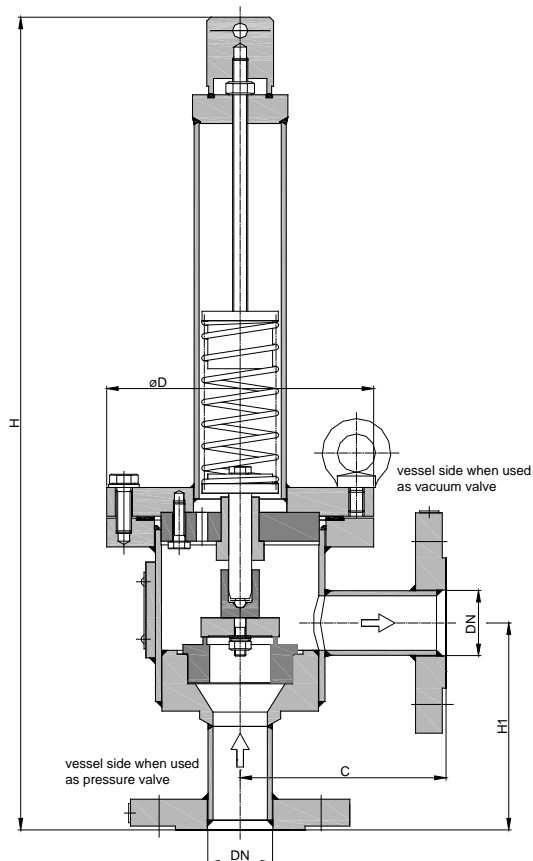
In-line pressure or vacuum relief valve  
**KITO® VD/Sc-1-...**



### Application

As inline armature, for venting or breathing of vessels but preferably for installations in pipe. Depending on the mounting position the valve can be used as pressure or as vacuum valve. It can also be used as non-return armature or overflow valve. Same function as KITO® VD/TA-1-..., see type sheet F 30.1 N.

### Dimensions (mm) and settings (mbar)



**Construction length C and H1 can be adapted to customers wish to local situation.**

DN		C		D	H		H1		kg	setting	
DIN	ASME	DIN	ASME		DIN	ASME	DIN	ASME		min.	max.
25 PN 40	1"	90	108	140	406	424	90	108		>200	350
50 PN 16	2"	125	144				100	119			
80 PN 16	3"	161	181				121	141			
100 PN 16	4"	175	199				140	164			
125 PN 16	5"	217	251				158	192			
150 PN 16	6"	247	281	330	980	1014	190	224		>150	
200 PN 10	8"	275	315				225	265		>100	

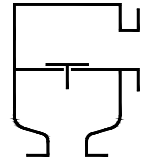
Indicated weights are understood without weight load and refer to the standard design  
 Minor settings see KITO® VD/Sc-... (type sheet F 61 N), higher settings on request

### Example for order

**KITO® VD/Sc-1-50**  
 (design with flange connection DN 50 PN 16)

**Without EC certificate and CE-marking**

**Type sheet**  
 In-line pressure or vacuum relief valve  
**KITO® VD/Sc-1-...**



**Design**

	standard	optionally
housing / cover	steel	stainless steel mat. no. 1.4571
gasket	HD 3822	PTFE
valve seat, valve spindle	stainless steel mat. no. 1.4571	
valve sealing	metal sealing	
valve pallet	spring loaded	
spring loaded parts	stainless steel mat. no. 1.4571	
compression spring	stainless steel	
flange connection	EN 1092-1 type B1	ASME B16.5 Class 150 RF

**Performance curves**

Flow capacity V based on air of a density  $\rho = 1.29 \text{ kg/m}^3$  at  $T = 273 \text{ K}$  and atmospheric pressure  $p = 1.013 \text{ mbar}$ . For other gases the flow can be approximately calculated by

$$\dot{V}_{40\%} = \dot{V}_b \cdot \sqrt{\frac{\rho_b}{1.29}} \quad \text{or} \quad \dot{V}_b = \dot{V}_{40\%} \cdot \sqrt{\frac{1.29}{\rho_b}}$$

The indicated flow rates will be reached by an accumulation of 40% above valve's setting (see DIN 4119).  
 If the allowable overpressure is less 40%, please consult der factory for the corrected volume flow.

