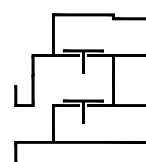


## Type sheet

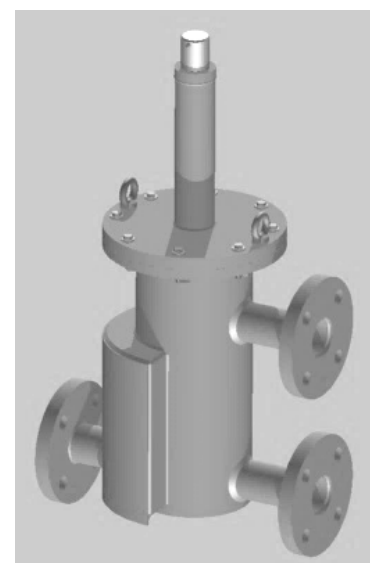
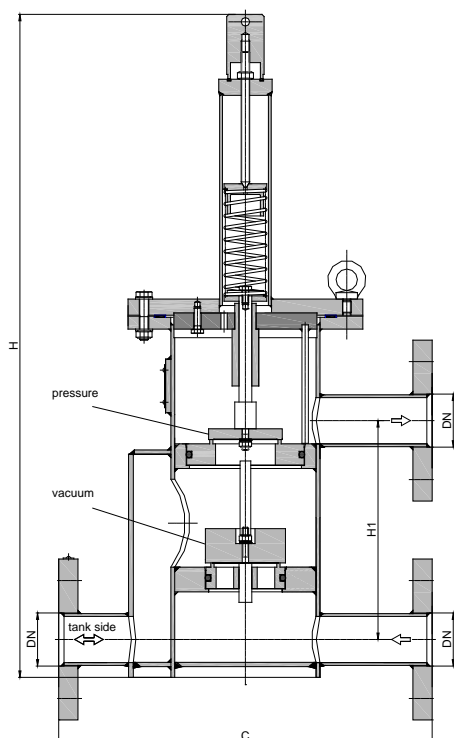
In-line pressure and vacuum relief valve  
**KITO® VD/T3-1-...**



### Application

As inline armature with venting and breathing function for application on fixed roof tanks and vessels. Equipped with a lateral connection for the tank connecting pipe, a lower flange connection for a venting conduit and an upper flange connection for a breather conduit. The lower valve can be used to automatically control a supply of inert gas (e. g. nitrogen). For flammable liquids, a detonation flame arrester, e. g. KITO® EFA-Det-... should be provided between the tank and the KITO® VD/T3-1-...

### Dimensions (mm) and settings (mbar)



**Construction length C can be adapted to customers wish to local situation.**

DN	ASME	C	H	H1	kg	vacuum		setting	
						min.	max.	min.	max.
25 PN 40	1"	240	492	150		6	93	>200	350
32 PN 40	1 ¼"	240	507	165		6	91		
40 PN 40	1 ½"	350	598	204		6	158		
50 PN 16	2"	350	598	204		6	154		
65 PN 16	2 ½"	350	805	224		7	105		
80 PN 16	3"	350	860	253		7	120		
100 PN 16	4"	450	926	279		7	140	>150	
125 PN 16	5"	500		332		7	140		
150 PN 16	6"	550		387		8	150		

Indicated weights are understood without weight load and refer to the standard design  
 Lower settings see KITO® VD/T3-1-... (type sheet F 37 N), higher settings on request

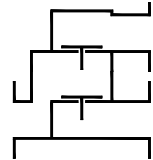
### Example for order

**KITO® VD/T3-1-50**  
 (design with flange connection DN 50 PN 16)

**Without EC certificate and €-marking**

**Type sheet**

In-line pressure and vacuum relief valve

**KITO® VD/T3-1-...**

**Design**

	standard	optionally
housing / cover	steel	stainless steel mat. no. 1.4571
gasket	HD 3822	PTFE
valve seat, valve spindle	stainless steel mat. no. 1.4571	
valve seat seal (o-ring)	VMQ-FEP	Viton, NBR, VMQ-PFA
load weight	stainless steel mat. no. 1.4571	
valve sealing	metal sealing	
valve pallet (pressure)	spring loaded	
valve pallet (vacuum)	weight loaded	
spring loaded parts	stainless steel mat. no. 1.4571	
compression spring	stainless steel	
flange connection	EN 1092-1 type A	ASME B16.5 Class 150 RF