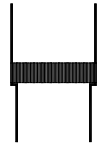




Type sheet

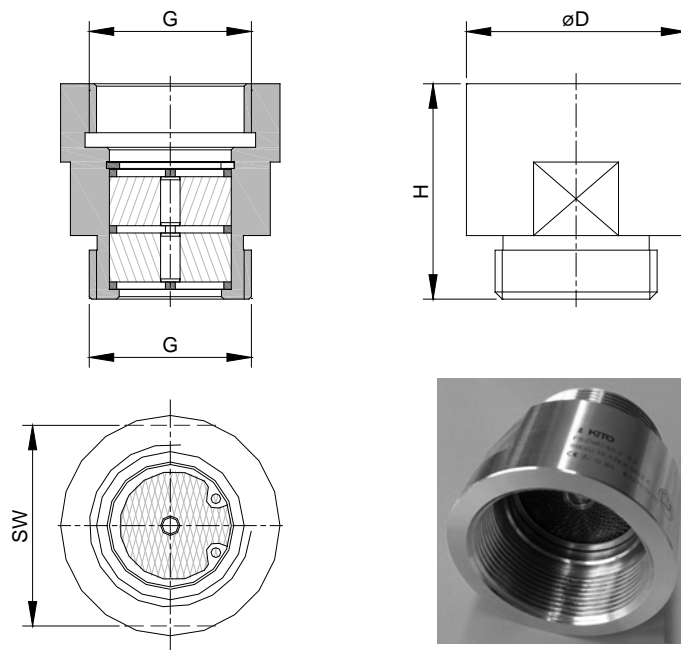
Bi-directional in-line deflagration flame arrester
KITO® FS-Def0-IIB3-...“-1.2



Application

Installation into pipelines as inline deflagration flame arrester e. g. for the protection of ignition gas lines of gas consumption devices (flare of biogas plants). Applicable for all materials of the explosion groups IIA1 up to IIB3 with a maximum experimental safe gap (MESG) ≥ 0.65 mm. Operating from both sides, for a maximum operating pressure of 1.2 bar abs. and a maximum operating temperature of 60 °C. The distance between the ignition source and the armature may not be larger than 50 x the inside pipe diameter.

Dimension (mm)



thread	D	H	SW	kg
G 1/2"	30	44	24	0.15
G 3/4"	35	46	30	0.2
G 1"	45	44	41	0.3
G 1 1/4"	55	65	55	0.5
G 1 1/2"	60	65	55	0.6
G 2"	75	65	70	0.9

Weight refers to the standard design

Example for order

KITO® FS-Def0-IIB3-1"-1.2
 (design with threaded connection G 1")

Type examination certificate to EN ISO 16852 and CE-marking in accordance to ATEX-Directive 2014/34/EU

Type sheet

 Bi-directional in-line deflagration flame arrester
KITO® FS-Def0-IIB3-...“-1.2

Design

	standard	optionally
housing	stainless steel mat. no. 1.4571	
KITO®-grid	stainless steel mat. no. 1.4571	
interlayer	stainless steel mat. no. 1.4571	
retaining ring	stainless steel	
connections	thread inside and outside	

Performance curves

Flow capacity V based on air of a density $\rho = 1.29 \text{ kg/m}^3$ at $T = 273 \text{ K}$ and atmospheric pressure $p = 1.013 \text{ mbar}$. For other gases the flow can be approximately calculated by

$$\dot{V} = \dot{V}_b \cdot \sqrt{\frac{\rho_b}{1.29}} \quad \text{or} \quad \dot{V}_b = \dot{V} \cdot \sqrt{\frac{1.29}{\rho_b}}$$

