

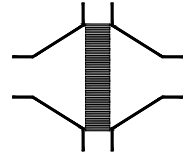


## Type sheet

Bi-directional in-line deflagration flame arrester, short-time burning proof

**KITO® RG-Def-IIB3-...-1.2**

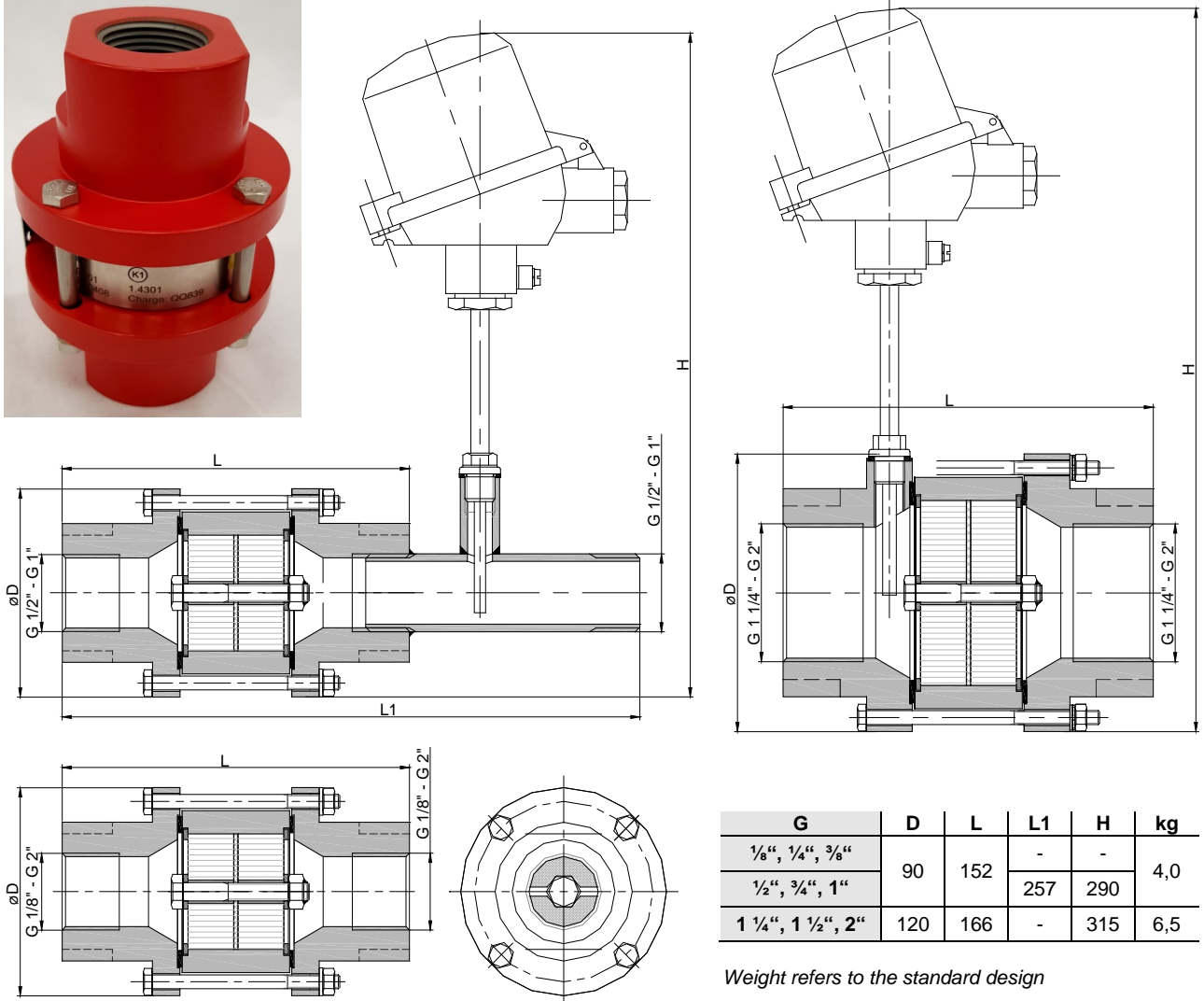
**KITO® RG-Def-IIB3-...-1.2-T (-TT)**



### Application

For installation into pipes to the protection of vessels and components against deflagration of flammable liquids and gases. Approved for all substances of explosion groups IIA1 to IIB3 with a maximum experimental safe gap (MESG)  $\geq 0.65$  mm. Bi-directionally working in pipes, whereby an operating pressure of 1.2 bar abs. and an operating temperature of 60 °C must not be exceeded. The distance between a potential ignition source and the flame arrester must not exceed 50 times the inner pipe diameter. All sizes are tested against "stabilized burning" and withstand this up to a max. burn time BT  $\leq 6.0$  min. To detect a "stabilized burning" a thermocouple must be installed at each endangered side. Mounting is acceptable in any position, in horizontal as well as in vertical pipes.

### Dimension (mm)



*Weight refers to the standard design*

### Example for order

**KITO® RG-Def-IIB3-1 1/4"-1.2-T**

(design with threaded connection G 1 1/4" and a temperature sensor)

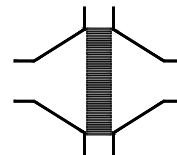
**Type examination certificate to EN ISO 16852 and CE-marking in accordance to ATEX-Directive 2014/34/EU**

### Type sheet

Bi-directional in-line deflagration flame arrester, short-time burning proof

**KITO® RG-Def-IIB3-...-1.2**

**KITO® RG-Def-IIB3-...-1.2-T (-TT)**



#### Design

	standard	optionally
housing	steel	stainless steel mat. no. 1.4571
gasket	HD 3822	PTFE
KITO®-flame arrester element	completely interchangeable	
KITO®-casing / KITO®-grid	stainless steel mat. no. 1.4301 / 1.4310	stainless steel mat. no. 1.4571 / 1.4571
bolts / nuts	A2	A4
temperature sensor		PT 100, connection 1/4", 1.4571
<b>-not for connection G 1/8"- 3/8"-</b>		
connection	thread connection	

#### Performance curves

Flow capacity V based on air of a density  $\rho = 1.29 \text{ kg/m}^3$  at  $T = 273 \text{ K}$  and atmospheric pressure  $p = 1.013 \text{ mbar}$ . For other gases the flow can be approximately calculated by

$$\dot{V} = \dot{V}_b \cdot \sqrt{\frac{\rho_b}{1.29}} \quad \text{or} \quad \dot{V}_b = \dot{V} \cdot \sqrt{\frac{1.29}{\rho_b}}$$

