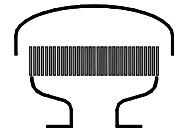


## Type sheet

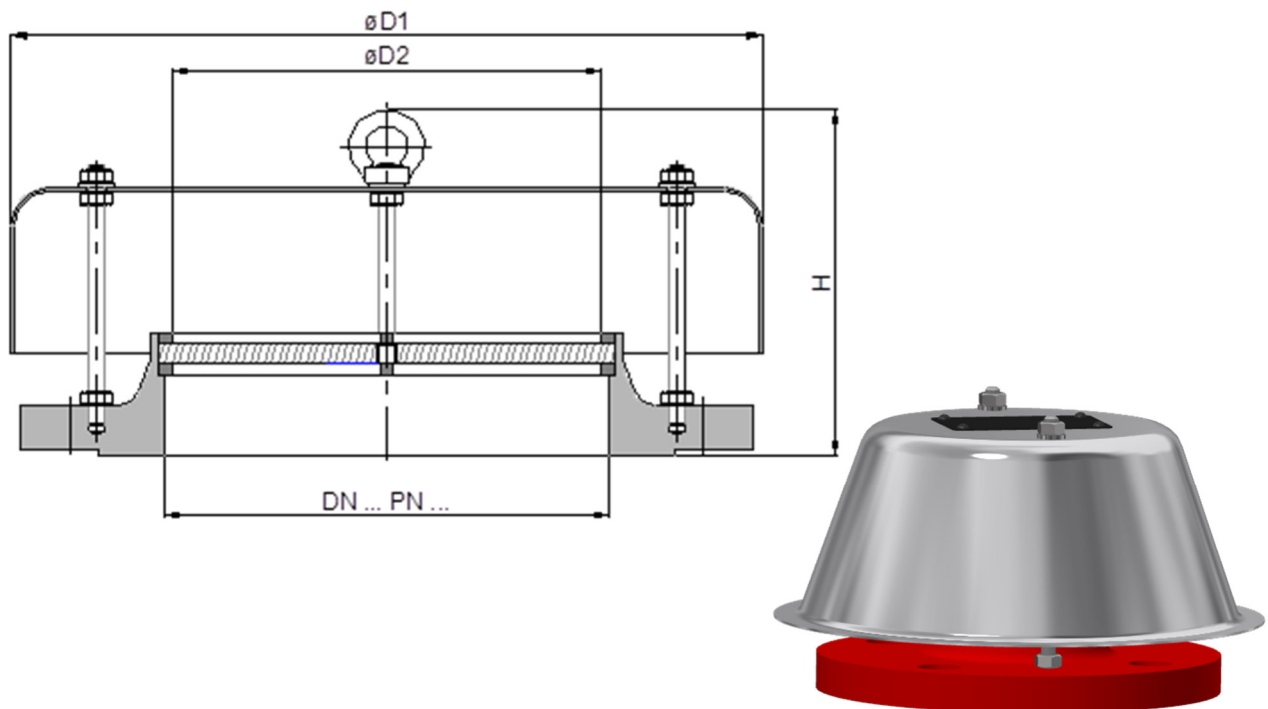
Deflagration proof ventilation hood  
**KITO® VND-...-IIB3**



### Application

As breather/venting safety device incorporating an explosion proof flame arrester element for installation on top of storage tanks, tank access covers or breather pipes. The breather allows the unimpeded flow of gases out to atmosphere and air into the tank/pipe thereby preventing vacuum locks whilst ensuring provision of a permanent and reliable protection against any flashback into the tank/pipe. This device is not permitted to be installed in enclosed areas. Approved for all materials of the explosion group IIB3 with a maximum experimental safe gap (MESG)  $\geq 0.65$  and an maximum operating temperature of 60 °C.

### Dimensions (mm)



DIN	DN ASME	D1	D2	H (DIN)	H (ASME)	kg
25 PN 40	1"	200	26	111	128	2,0
32 PN 40	1 1/4"	200	33	111	129	2,3
40 PN 40	1 1/2"	200	39	120	135	2,5
50 PN 16	2"	205	46	121	142	3,2
65 PN 16	2 1/2"	246	62	116	125	3,7
80 PN 16	3"	286	74	171	190	5,3
100 PN 16	4"	331	100	192	216	6,5
125 PN 16	5"	406	125	210	244	8,5
150 PN 16	6"	406	152	210	244	10,8
200 PN 10	8"	465	200	217	256	17,6
250 PN 10	10"	465	253	223	256	22,0
300 PN 10	12"	550	305	223	268	26,0

Weight refers to the standard design

### Example for order

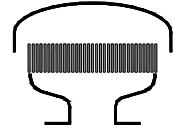
**KITO® VND-50-IIB3**  
 (design with flange connection DN 50 PN 16)

**Type examination certificate to EN ISO 16852 and CE-marking in accordance to ATEX-Directive 2014/34/EU**

page 1 of 2

## Type sheet

Deflagration proof ventilation hood  
**KITO® VND-...-IB3**



### Design

	variant I	variant II
housing	steel	stainless steel mat. no. 1.4571
KITO®-flame arrester element	not interchangeable	
KITO®-casing	steel	stainless steel mat. no. 1.4571
KITO®-grid	stainless steel mat. no. 1.4310	stainless steel mat. no. 1.4571
weather hood	stainless steel	
flange connection	EN 1092-1 type B1 <i>optionally</i> ASME B16.5 Class 150 RF	

### Performance curves

Flow capacity  $V$  based on air of a density  $\rho = 1.29 \text{ kg/m}^3$  at  $T = 273 \text{ K}$  and atmospheric pressure  $p = 1.013 \text{ mbar}$ . For other gases the flow can be approximately calculated by

$$\dot{V} = \dot{V}_b \cdot \sqrt{\frac{\rho_b}{1.29}} \quad \text{or} \quad \dot{V}_b = \dot{V} \cdot \sqrt{\frac{1.29}{\rho_b}}$$

