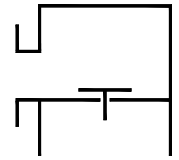


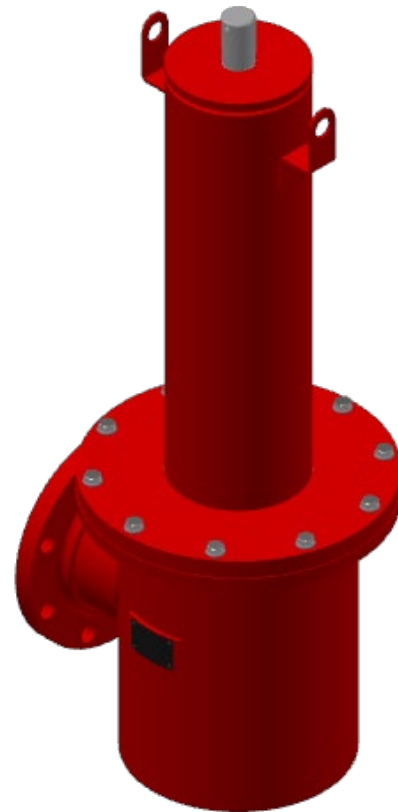
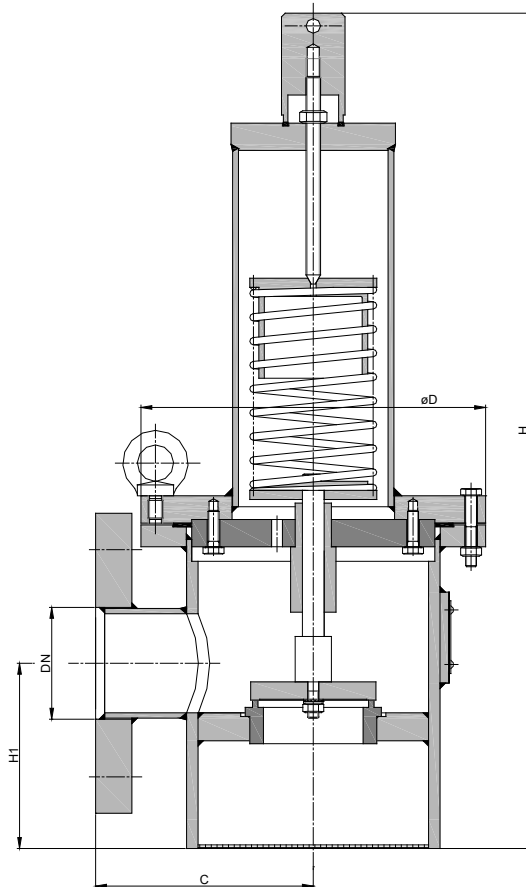
Type sheet
 Vacuum relief valve
KITO® VS/o-1-...



Application

As end-of-line armatures, for venting apertures on tank installations for ventilation and to prevent inadmissible vacuum. Usually mounted on top of a tank, if applicable in conjunction with a pressure relief valve on a common connecting pipe. The valve is not explosion-proof, thus cannot be used for flammable media.

Dimensions (mm) and settings (mbar)



DIN	DN	ASME	C	D	H	H1	kg	setting	
								min.	max.
50 PN 16	2"		120	190	460	102	20	>200	350
80 PN 16	3"		145	214	650	123			
100 PN 16	4"		180	300	722	142	46		
125 PN 16	5"		195			173			
150 PN 16	6"		220	370	1015	190	84		
200 PN 10	8"		255	415		220		>100	

Weight refers to the standard design

Lower settings see KITO® VS/o-... (type sheet D 12 N), higher settings on request

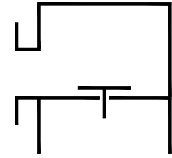
Example for order

KITO® VS/o-1-50
 (design with flange connection DN 50 PN 16)

Without EC certificate and €-marking

Type sheet

Vacuum relief valve

KITO® VS/o-1-...

Design

	standard	optionally
housing / cover	steel	stainless steel mat. no. 1.4571
gasket	HD 3822	PTFE
valve pallet	spring loaded	
valve seat, valve spindle	stainless steel mat. no. 1.4571	
valve sealing	metal sealing	
spring loaded parts	stainless steel mat. no. 1.4571	
compression spring	stainless steel	
flange connection	EN 1092-1 type A	ASME B16.5 Class 150 RF

Performance curves

Flow capacity V based on air of a density $\rho = 1.29 \text{ kg/m}^3$ at $T = 273 \text{ K}$ and atmospheric pressure $p = 1.013 \text{ mbar}$. For other gases the flow can be approximately calculated by

$$\dot{V}_{40\%} = \dot{V}_b \cdot \sqrt{\frac{\rho_b}{1.29}} \quad \text{or} \quad \dot{V}_b = \dot{V}_{40\%} \cdot \sqrt{\frac{1.29}{\rho_b}}$$

The indicated flow rates will be reached by an accumulation of 40% above valve's setting (see DIN 4119).
If the allowable overpressure is less 40%, please consult der factory for the corrected volume flow.

