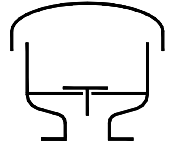


Type sheet

Pressure relief valve

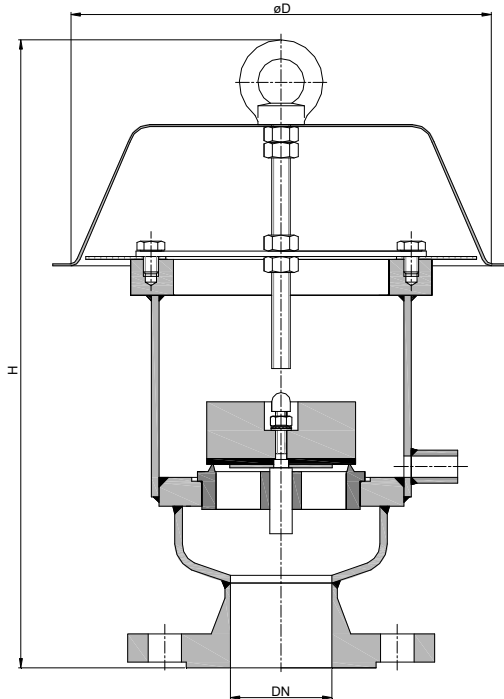
KITO® DS/o-...



Application

As venting device for installation on storage tanks with a VRV to protect against hazardous excess pressure but minimize the loss of gas/vapours. This device does not protect against the hazard of explosion or stabilized burning.

Dimensions (mm) and settings (mbar)



DN		D	H		~ kg	min. - max. (load weight from PE)	setting min. - max.	min. - max. (with housing extension)
DIN	ASME		DIN	ASME				
25 PN 40	1"	220	324	343	9	2.5 - 10.4	10.5 - 200	-
50 PN 16	2"		334	353	12	1.8 - 7.3	7.4 - 120	> 120 - 200
80 PN 16	3"		416	436	13	1.8 - 7.7	7.8 - 120	> 120 - 200
100 PN 16	4"	260	414	439	15	1.8 - 7.7	7.8 - 95	> 95 - 200
125 PN 16	5"		435	468		1.9 - 6.8	6.9 - 120	> 120 - 150
150 PN 16	6"	380	468	488	31	1.8 - 11.9	12 - 125	> 125 - 150
200 PN 10	8"		553	595	53	2 - 11.9	12 - 100	-
250 PN 10	10"	600	595	630	84	2.2 - 11.9	12 - 100	-

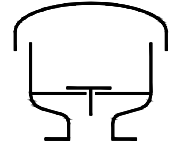
Indicated weights are understood without weight load and refer to the standard design

Higher settings see KITO® DS/o-1-... (type sheet C 8.3 N)

Example for order

KITO® DS/o-50
(design with flange connection DN 50 PN 16)

Without EC certificate and CE-marking

Type sheet
 Pressure relief valve
KITO® DS/o-...

Design

	standard	optionally
housing	steel	stainless steel mat. no. 1.4571
valve seat, valve spindle	stainless steel mat. no. 1.4571	
load weight	stainless steel mat. no. 1.4571	PE
valve sealing	NBR	Viton, PTFE, EPDM, metal sealing
	<i>≥ 100 mbar only PTFE or metal sealing</i>	
weather hood	stainless steel	
protective screen	PA6, from DN 125 stainless steel mat. no. 1.4301	from DN 125 stainless steel mat. no. 1.4571
flange connection	EN 1092-1 type B1	ASME B16.5 Class 150 RF

Performance curves

Flow capacity V based on air of a density $\rho = 1.29 \text{ kg/m}^3$ at $T = 273 \text{ K}$ and atmospheric pressure $p = 1.013 \text{ mbar}$. For other gases the flow can be approximately calculated by

$$\dot{V}_{40\%} = \dot{V}_b \cdot \sqrt{\frac{\rho_b}{1.29}} \quad \text{or} \quad \dot{V}_b = \dot{V}_{40\%} \cdot \sqrt{\frac{1.29}{\rho_b}}$$

The indicated flow rates will be reached by an accumulation of 40% above valve's setting (see DIN 4119).
 If the allowable overpressure is less 40%, please consult der factory for the corrected volume flow.

