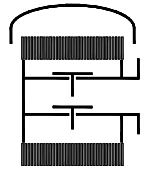


## Type sheet

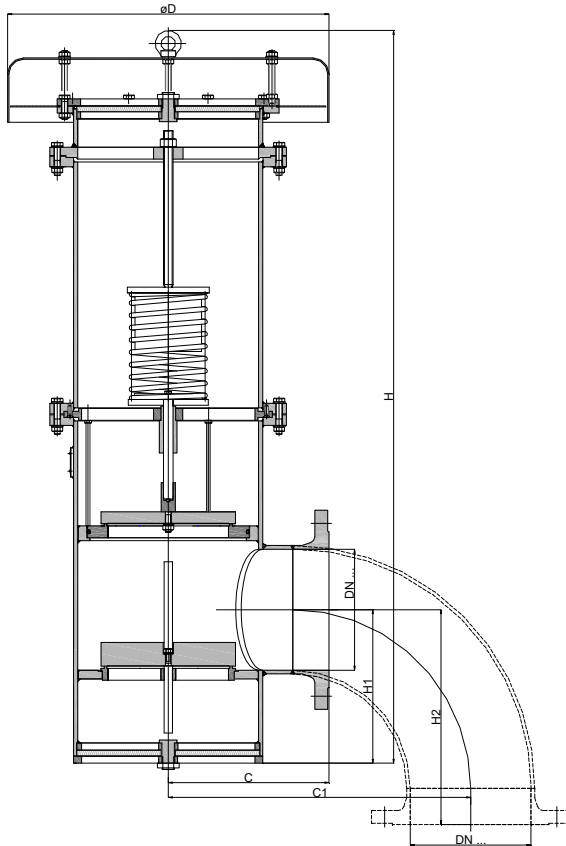
Deflagration proof pressure and vacuum relief valve  
**KITO® VD/AE-1-...-IIB3**



### Application

As end-of-line armature for venting and breathing of tanks. Tested and approved against atmospheric deflagrations for all materials of the explosion group IIB3 with a maximum experimental safe gap (MESG)  $\geq 0.65$  mm and an maximum operating temperature of 60 °C. Vertical mounting (for tanks roofs) with an integrated elbow as an option.

### Dimensions (mm) and settings (mbar)



Vertical connection from size DN 100  
 only after prior agreement!!!  
 On-site support of the device  
 necessary!!!

DN		D	H	H1	H2		C		C1	kg	setting		pressure		
DIN	ASME				DIN	ASME	DIN	ASME			min.	max.	min.	max.	
50	PN 16	240	550	108	121	140	150	169	180		6.5	35	350		
80	PN 16	350		131	165	184	180	180	245		7	35			>200
100	PN 16	372		156	204	228	200	224	245		8	35			>150
150	PN 16	465	1280	200	285	316	245	279	419		9	35			>100
200	PN 10	550	1250	262	367	407	275	315	518	167	10	35			>100
250	PN 10	600	1525	260	449	483	320	355	633		10	35	>100		

Indicated weights are understood without weight load and refer to the standard design  
 Lower settings see KITO® VD/AE-...-IIB3 (type sheet E 20 N), higher settings on request

### Example for order

**KITO® VD/AE-1-50-IIB3 (lateral)**  
 (design DN 50 with lateral flange connection DN 50 PN 16)

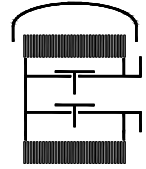
**Type examination certificate to EN ISO 16852 and CE-marking in accordance to ATEX-Directive 2014/34/EU**



## Type sheet

Deflagration proof pressure and vacuum relief valve

**KITO® VD/AE-1-...-IIB3**



### Design

	standard	optionally
housing	steel	stainless steel mat. no. 1.4571
valve seat, valve spindle	stainless steel mat. no. 1.4571	
valve seat seal (o-ring)	VMQ-FEP	Viton, NBR, VMQ-PFA
load weight	stainless steel mat. no. 1.4571	
valve sealing	metal sealing	
valve pallet (pressure)	spring loaded	
valve pallet (vacuum)	weight loaded	
spring loaded parts	stainless steel mat. no. 1.4571	
compression spring	stainless steel	
KITO®-flame arrester element	completely interchangeable	
KITO®-casing / KITO®-grid	stainless steel mat. no. 1.4571 / 1.4310	stainless steel mat. no. 1.4571 / 1.4571
weather hood	stainless steel	
protective screen	stainless steel mat. no. 1.4301	stainless steel mat. no. 1.4571
flange connection	EN 1092-1 type B1	ASME B16.5 Class 150 RF
connection	lateral	vertical