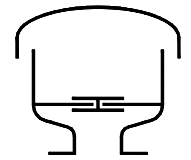


## Type sheet

### Pressure and vacuum relief valve

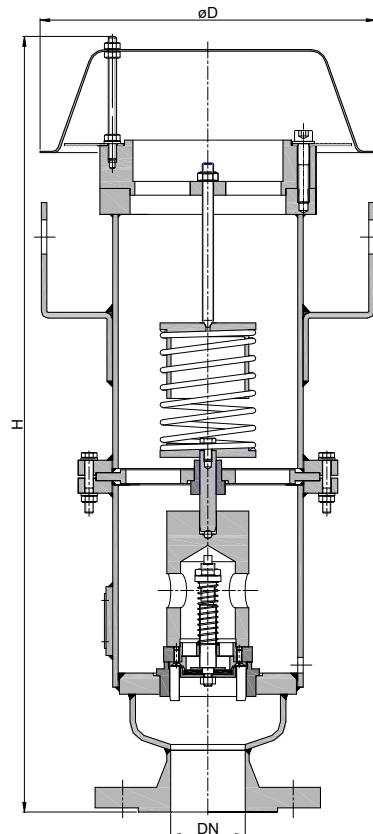
#### KITO® VD/o-1-...



#### Application

End-of-line armature, as breather and venting device, mainly used for tanks in which non-flammable liquids are stored. Used to prevent inadmissible pressure or vacuum as well as gas losses or inadmissible emissions respectively. Valve is not explosion-proof or endurance-burning proof.

#### Dimensions (mm) and settings (mbar)



DN		D	H		kg	vacuum setting		pressure	
DIN	ASME		DIN	ASME		min.	max.	min.	max.
50 PN 16	2"	220	565	584		3	50	>200	350
80 PN 16	3"	331	805	835	34	3	50		
100 PN 16	4"	331	805	835		3	50		
125 PN 16	5"	405				3	50	>150	
150 PN 16	6"	405				3	50		
200 PN 10	8"	450				3	50		
250 PN 10	10"	650	1375	1375	252	3	50	>100	

Weight refers to the standard design

Lower settings see KITO® VD/o-... (type sheet E 17 N), higher settings on request

#### Example for order

**KITO® VD/o-1-50**  
(design with flange connection DN 50 PN 16)

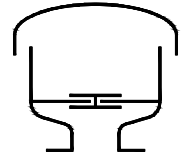
**Without EC certificate and CE-marking**



## Type sheet

Pressure and vacuum relief valve

KITO® VD/o-1-...



### Design

	standard	optionally
housing	steel	stainless steel mat. no. 1.4571
valve seat, valve spindle	stainless steel mat. no. 1.4571	
valve sealing (vacuum)	NBR	Viton, PTFE, EPDM
valve sealing (pressure)	metal sealing	
valve pallet	spring loaded	
spring loaded parts	stainless steel mat. no. 1.4571	
compression spring	stainless steel	
weather hood	stainless steel	
protective screen	PA6, ≥ DN 80 stainless steel mat. no. 1.4301	≥ DN 80 stainless steel mat. no. 1.4571
flange connection	EN 1092-1 type B1	ASME B16.5 Class 150 RF